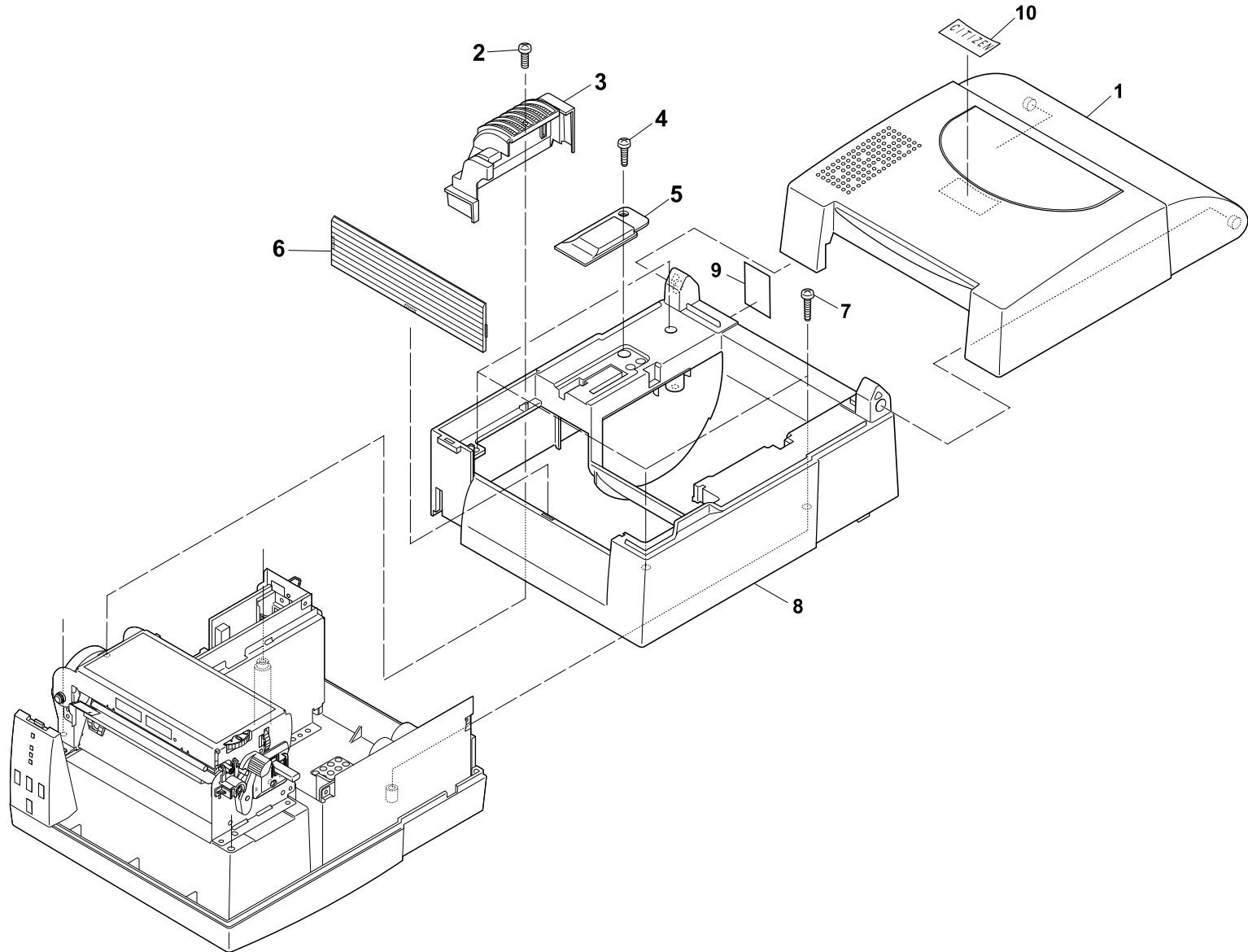
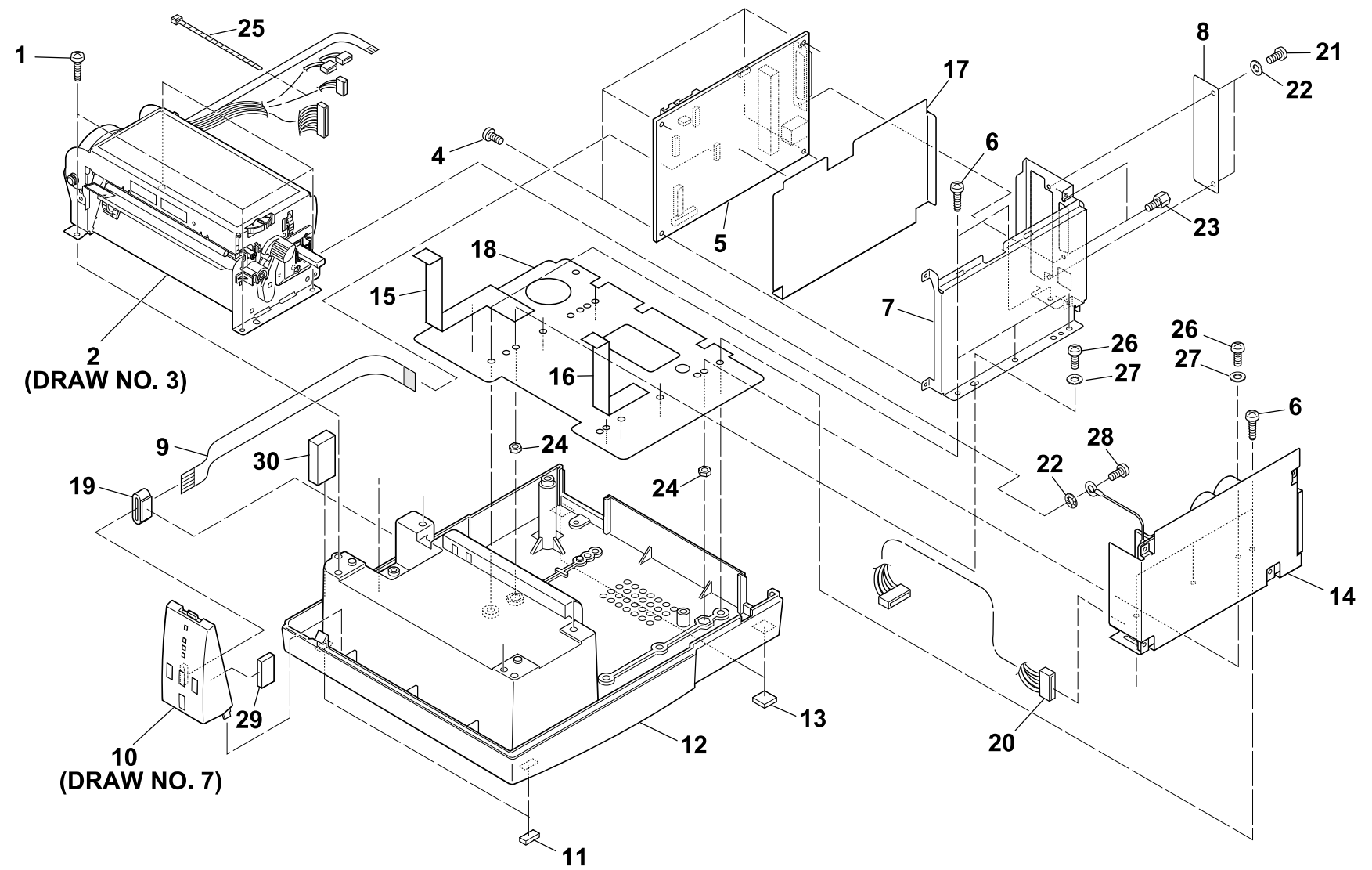


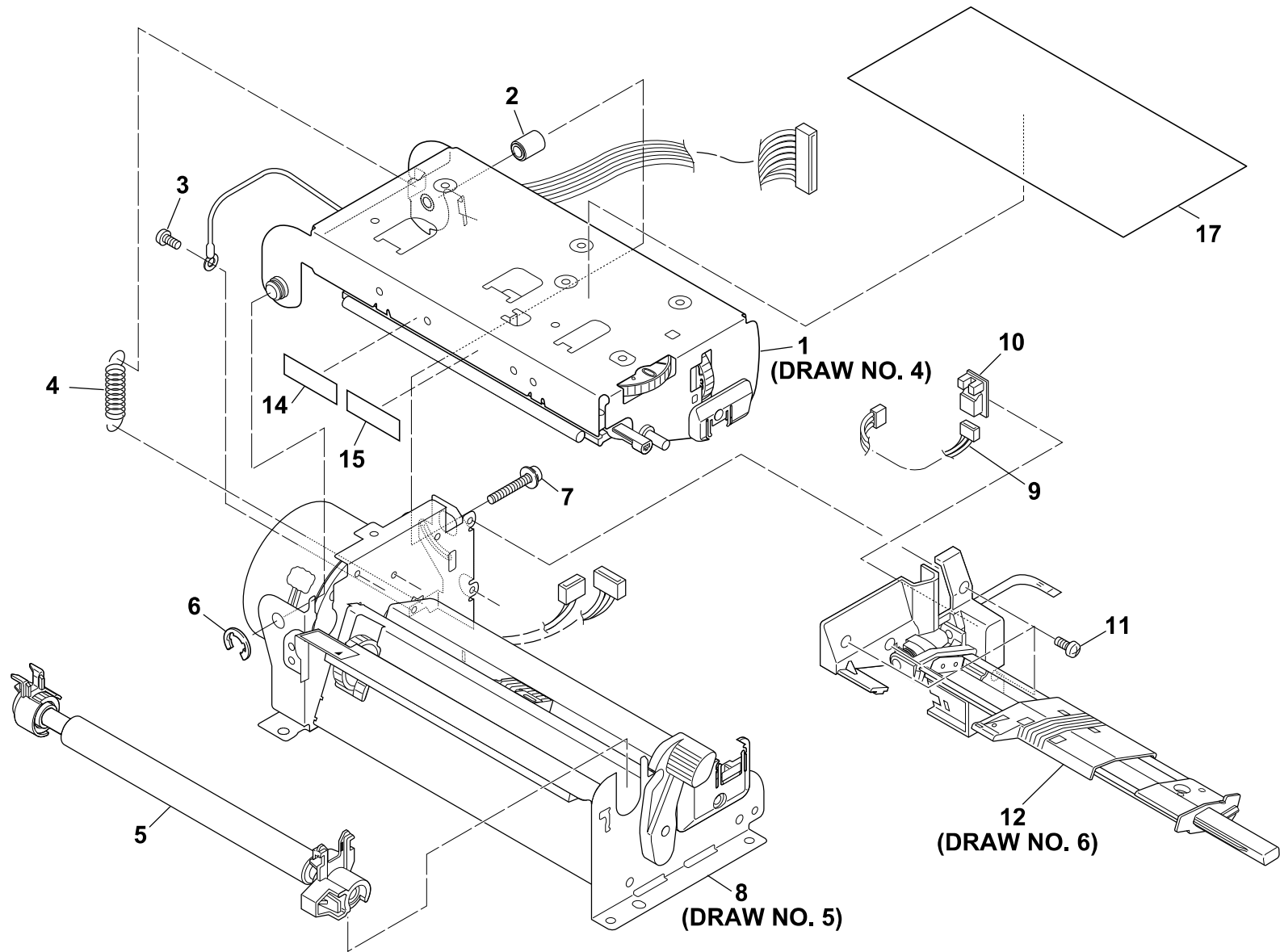
**DRAWING NO. 1 General Assembly (Rev. 0)**



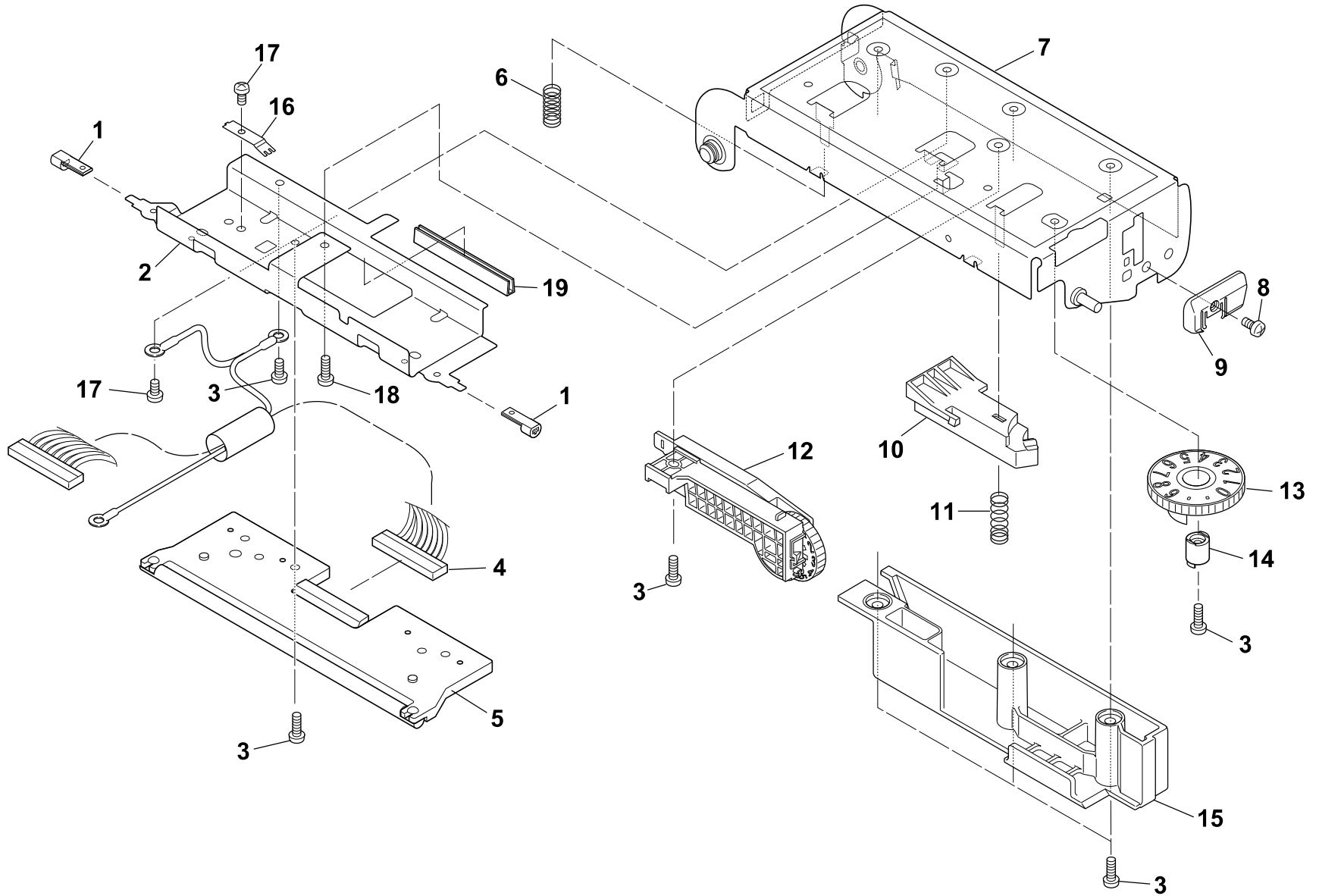
**DRAWING NO. 2 Base Unit (Rev. 0)**



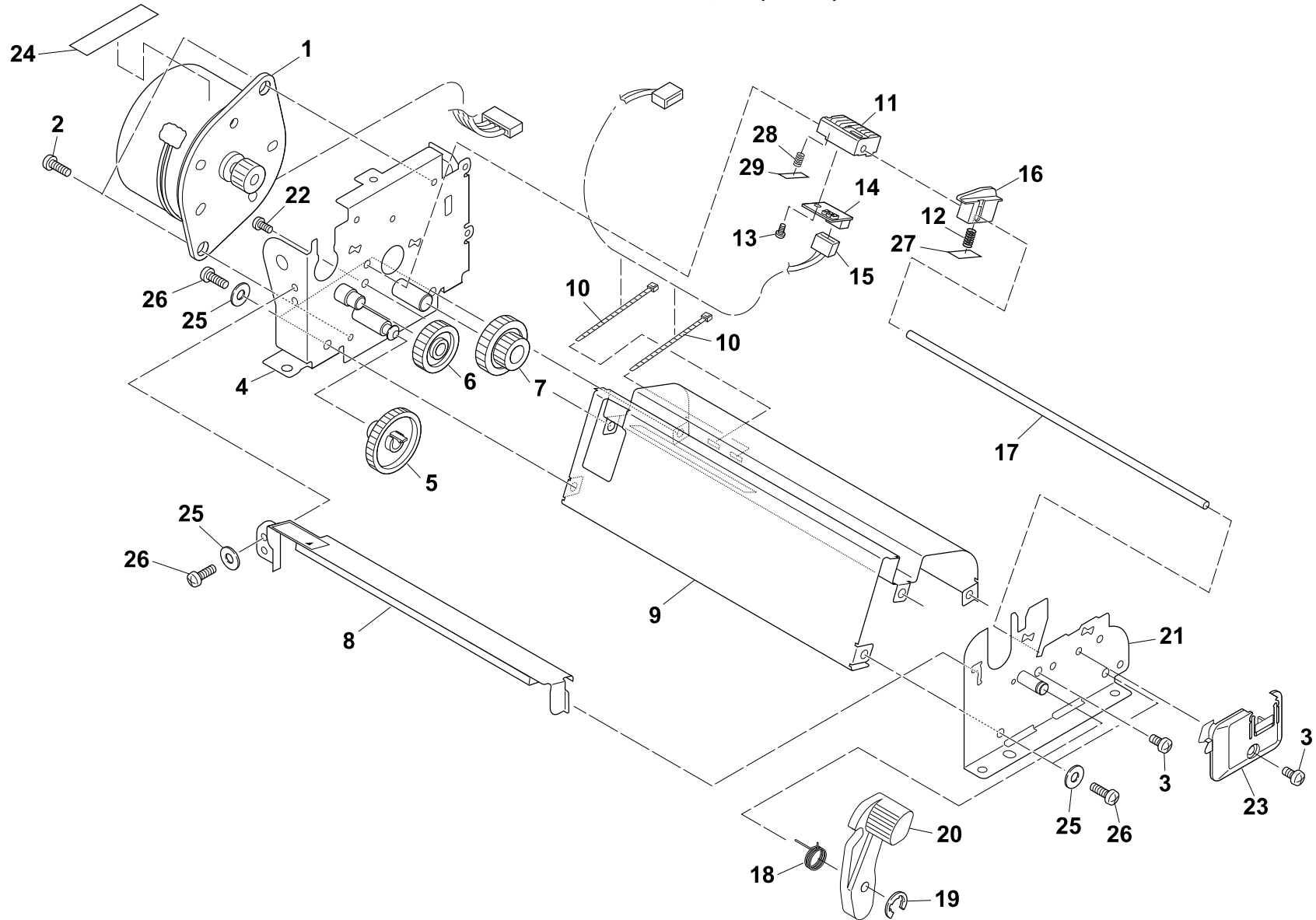
**DRAWING NO. 3 Unit, Mechanism (Rev. 0)**



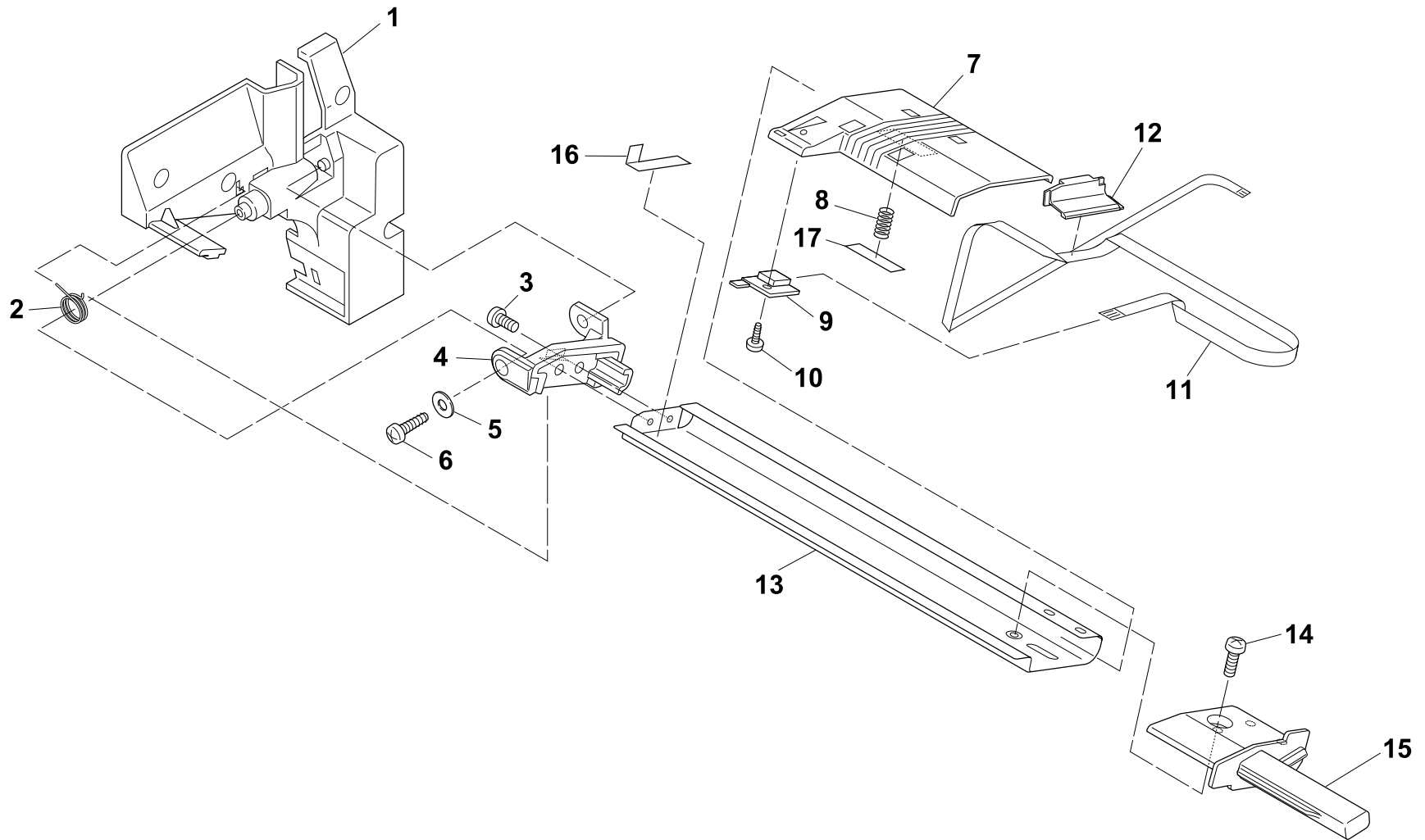
DRAWING NO. 4 Unit, Head-DT (Rev. 0)



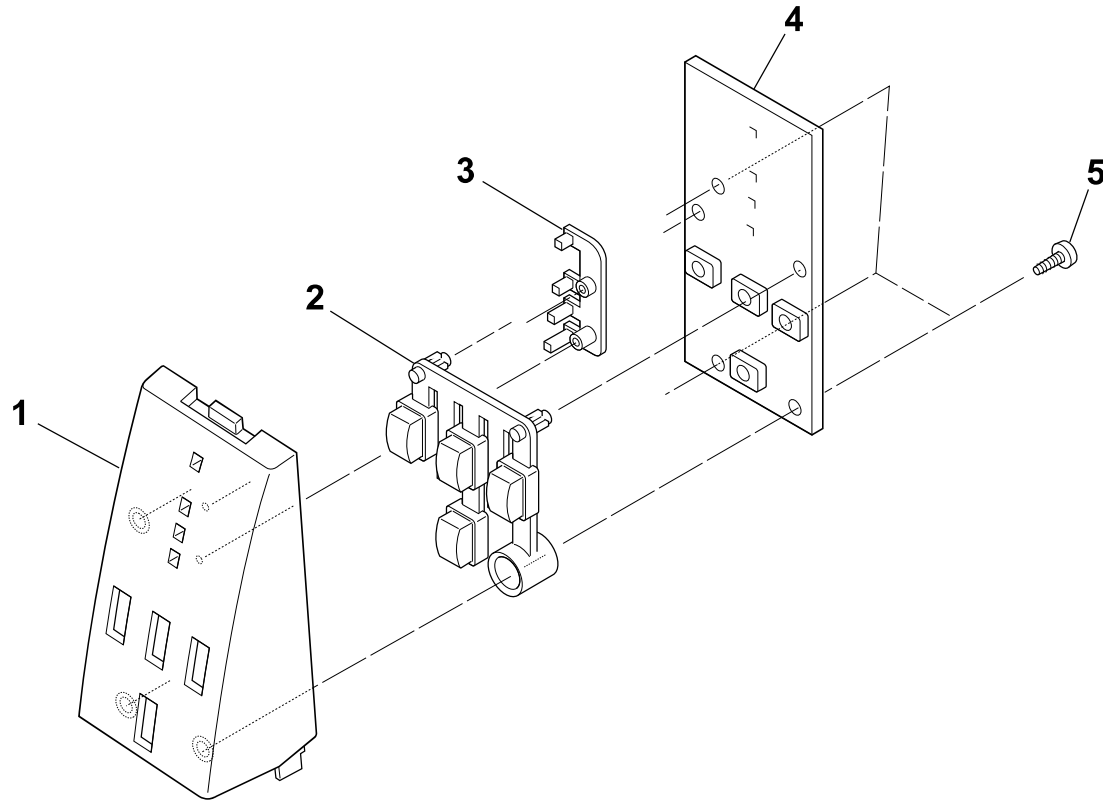
DRAWING NO. 5 Unit, PF (Rev. 0)



**DRAWING NO. 6 Unit, Sensor U (Rev. 0)**



**DRAWING NO. 7 Unit, Control Panel (Rev. 0)**



**DRAWING NO. 8 Accessories (Rev. 0)**

