



PT-2250

Simplify Operation, Level up Business



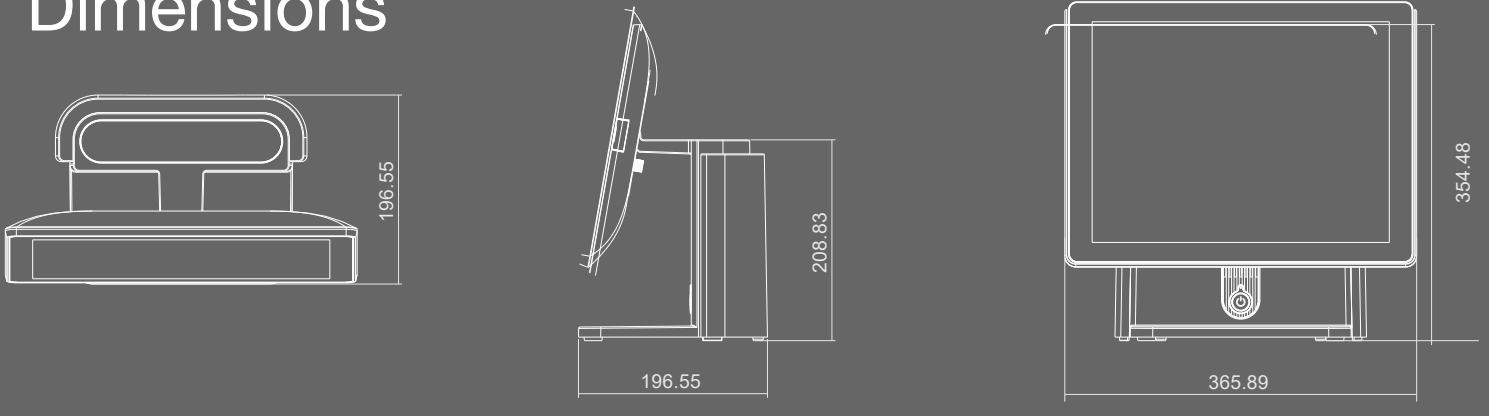
Specification

Model Name		• Probus PT-2250 (PT21)	• Probus PT-2250 (PT20)
Main Board	Processor	Intel® Skylake Core™ i5-6500TE Processor Intel® Skylake Core™ i3-6100TE Processor Intel® Skylake Celeron® G3900TE Processor	Intel® Celeron® Processor J1900
	Chipset	Intel® H110 / Intel® Q170 (Option)	CPU Integrated
	System Memory	1 SO-DIMM DDR4 slot, 4GB RAM standard. Maximum memory support up to 16GB	1 O-DIMM DDR3L slot, 4GB RAM as standard. Maximum memory support up to 8GB
	TPM	Intel F/W	N/A
	Intel AMT	N/A - YES : (i5 w - Q -170 chipset)	N/A
Display & Touch	LCD Size	15" 4:3 TFT LCD (LED backlight)	
	Brightness	400nits	
	Resolution	1024 x 768 (4:3)	
	Touch	Flat Project Capacitive Technology	Flat Project Capacitive Technology
Storage	HDD/SSD	1 x (SATA Drive III : 2.5" - 2 x SATA III 2.5") (Option) – Drive	1 x SATA II-2.5"
	RAID Function	N/A / YES. Support RAID 0/1 (Q170 chipset) – Probus	N/AN
I/O & Expansion	DC Input	1 : Mini Din 4P (DC + 19V only)	
	Cash Drawer	1 x (RJ-11) (Supports DC +12Volts or +24Volts) - Default Port Supports 2 Cash Drawers Only	
	LAN port	1 x Intel Gigabit Ethernet by RJ-45	1 x Gigabit Ethernet by RJ-45
	USB port	4 x USB 3.0 2 x USB 2.0	4 x USB 3.0 2 x USB 2.0
	Powered USB Port (Option)	2 x 12v Powered USB 1 x 24v Powered USB	N/A
	COM port	(3 x RS-232) (COM1-2 - DB-9, COM3 - RJ-48) w/DC 0Volts/+5Volts/+12Volts, Selectable by BIOS (default setting is DC 0V)	
	VGA port	1 x DB-15 w/DC +12Volts. Power enables by BIOS setting (default is Disabled)	
	Bus Expansion	1 x Mini-PCI-E Slot	
	Power Switch	1 x power on/off button	
	Speaker	HD Audio, 2W Speaker x 2	
OS Support	Windows 10 2016, Windows 8.1, Windows 7/POS Ready 7		
Power Adapter	External adapter, DC Model : Voltage:+19VDC, Std. 90watt. (Powered USB will use 180watt adaptor)	External adapter, DC Model : Voltage:+19VDC Std. 65watt	
Compliance	Certifications	CE, FCC, LVD, RoHS	
	Protection	IP 66 on front panel	
Material	Main Unit: Die-Cast Aluminum		
Color	Unit Colors: Space Gray / Black, Space Gray / White		

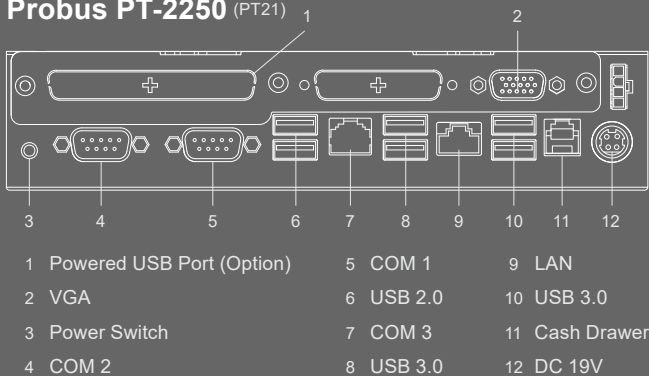
Model Name		• Probus PT-2250 (PT21)	• Probus PT-2250 (PT20)
Dimension (W x H x D mm)		365.89 x 354.48 x 196.55	
Environmental Condition	Operating	0°C ~ 40°C, 10% ~ 90% RH, non-condensing	
	Storage	-20°C ~ 60°C, 10% ~ 90% RH, non-condensing	
Optional Accessories	2nd Display	10.1 " Resolution 1280 x 800 (16:10 wide screen), USB Type	
	VESA Bracket	Supports Display M series	
	Customer Display (LCM)	2x20 LCM, USB Type	
	MSR	ISO 3-Tracks Slim MSR, USB Type	
	iButton	Dallas Key Reader, USB Type	
	RFID	13.56Mhz, USB Type	
	Fingerprint	DigitalPersona, USB Type	
	Scanner	2D scanner, USB Type	
Carton		L 460 x W 300 x H 510 mm	

* The right has been reserved to change the specification without prior notice

Dimensions



Probus PT-2250 (PT21)



Probus PT-2250 (PT20)

